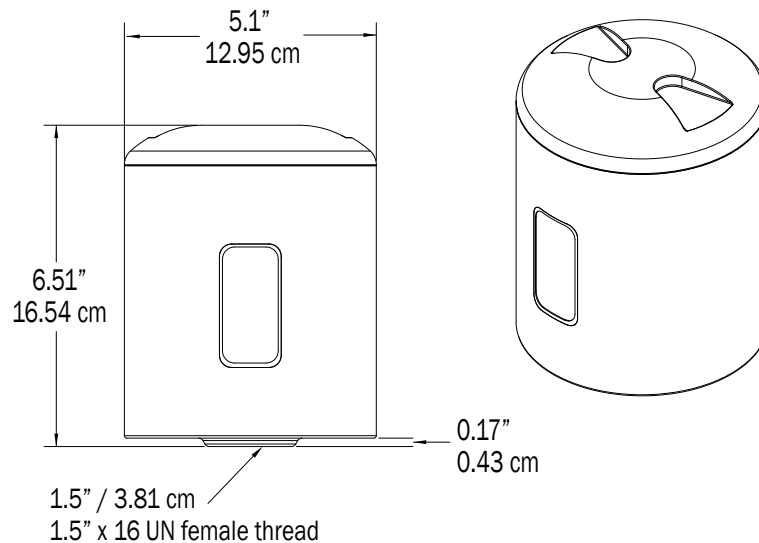


Des-Case Extreme Duty breathers remove moisture and particulate contamination before they enter your system, so your equipment runs clean and dry.

A preventative maintenance program incorporating Des-Case breathers will extend (and enhance) the life of your fluid power equipment.

Product Dimensions



Features & Benefits

Features:

- Automotive grade molded housing for increased vibration resistance and temperature range
- Three layers of protection to 0.3 μ
- Water-blocking filter media prevents free water from entering breather
- Airflow rating to 16 cfm at 1 psid for standard variant (25 cfm without check valve system)
- Adaptable female threaded base
- 1.5" female threaded connection
- Design allows partial regeneration of desiccant
- Clear windows for easy system monitoring
- Water vapor adsorbent silica gel changes from blue to pink when breather needs replacing
- Check valve system extends product life even further

Benefits:

- Eliminates rust-forming condensation
- Prevents sludge deposits and water-contaminated oil
- Provides longer oil and filter life
- Reduces wear and tear on equipment, prolongs life
- Helps reduce operating costs due to repair parts, labor costs, and production downtime
- Allows optimum performance and ongoing reliability of industrial machinery

Technical Specifications

General Data

Amount of silica gel	0.79 kg
	1 lb. 12 oz.
Adsorption capacity	315 mL
	10.64 fl. oz.
Gross weight of unit	1.36 kg
	3 lbs.
Filtration area	30.8 in ² / 198.7 cm ²
Direction of flow	Bidirectional
Op. temp. range	-40°F to 300°F / -40°C to 148.89 °C

Filter Media

Material	ePTFE
Permeability	3.5 – 7.5 Ft./min @ 0.5 in. – H ₂ O (ASTM D 737)
Filtration efficiency	99.97% @ 0.3μ (IES-RP-CC021.1)

Body Material Data

Material	Polycarbonate / Polybutylene Terephthalate (PC/PBT)
Breather max. oper. temp.	300°F / 148.89°C
Melting point	525°F / 273.89°C

Hygroscopic Agent (Silica Gel)

Apparent Bulk Density	700-800 kg/m ³
Avg. Particle Diameter	0.145" / 3.68 mm
Specific Heat	0.25 BTU/lb. F
Nominal Mesh Range	4 x 8
Avg. Crush Strength	35 lbs. / 15.9 kg

Check Valves

Cracking Pressure	1" H ₂ O / 0.04 PSI
Material	Fluorosilicon

